

FREQUENCY MIXERS

Surface Mount

High IP3 (up to 38 dBm)

140 to 1910 MHz



HJK



HUD

MODEL NO.	FREQUENCY (MHz)			IP3 (dBm)	LO level (dBm)	RF @ 1dB compr. (dBm)	CONVERSION LOSS (dB)			LO-RF ISOLATION (dB)		LO-IF ISOLATION (dB)		CASE STYLE	C O N N E C T I O N	PRICE \$
	RF	LO	IF				Typ.	σ	Max.	Typ.	Min.	Typ.	Min.			
HJK-9	818-853	753-778	40-100	22	7	10	7.1	0.3	8.7	36	24	26	20	TTT167	x	10.95
HJK-19	1850-1910	1780-1840	70-130	21	7	10	8.0	0.2	9.5	30	20	24	16	TTT167	x	10.95
HJK-21	1850-1910	2090-2150	180-300	22	7	10	7.5	0.3	9.5	28	18	19	13	TTT167	x	10.95
HJK-9LH	818-853	753-778	40-100	27	10	13	6.7	0.2	8.0	37	24	27	20	TTT167	x	12.95
HJK-19LH	1850-1910	1780-1840	70-130	25	10	13	7.5	0.2	9.4	30	20	23	15	TTT167	x	12.95
HJK-21LH	1850-1910	2090-2150	180-300	25	10	13	7.2	0.3	8.9	28	20	19	13	TTT167	x	12.95
HJK-9MH	818-853	753-778	40-100	31	13	16	6.7	0.2	8.0	37	24	27	20	TTT167	x	14.95
HJK-19MH	1850-1910	1780-1840	70-130	30	13	16	7.4	0.2	8.9	30	20	23	15	TTT167	x	14.95
HJK-21MH	1850-1910	2090-2150	180-300	29	13	16	7.2	0.2	8.9	29	20	19	13	TTT167	x	14.95
NEW HJK-3H*	140-180	160	0.5-20	37	16	19	8.0	0.1	9.2	44	35	44	30	TTT167	x	16.95
NEW HUD-3H*	140-180	160	0.5-20	37	16	19	8.1	0.1	9.2	47	40	45	38	BK276	mx	15.95
HJK-9H	818-853	753-778	40-100	33	17	20	6.7	0.2	8.0	35	24	31	23	TTT167	x	16.95
HJK-19H	1850-1910	1780-1840	70-130	34	17	20	7.7	0.2	8.9	28	20	22	16	TTT167	x	16.95
HJK-21H	1850-1910	2090-2150	180-300	36	17	20	7.6	0.2	8.9	28	20	25	18	TTT167	x	16.95
◆HUD-19SH*	1819-1910	1710-1769	50-200	38	19	22	7.5	0.2	8.9	38	27	36	25	BK276	mx	19.95

features

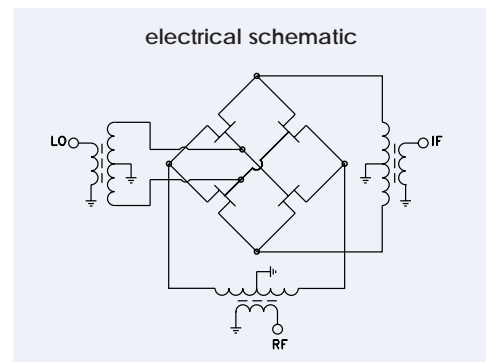
- high IP3, up to 38 dBm
- compression, 3 dB higher than LO power

applications

- base stations
- communication systems, cellular, PCS

NOTES:

- \bar{x} Average of conversion loss at center of mid-band frequency ($f_L + f_U / 4$)
- σ Standard deviation
- ◆ Aqueous washable
- * Patent pending
- A. Environmental specifications and re-flow soldering information available in General Information Section.
- B. Units are non-hermetic unless otherwise noted. For details on case dimensions & finishes see "Case Styles & Outline Drawings".
- C. Prices and Specifications subject to change without notice.
- 1. Absolute maximum power, voltage and current ratings:
 - 1a. LO & RF power: 16 dBm for level 7,10,13
19 dBm for level 16
20 dBm for level 17
22 dBm for level 19

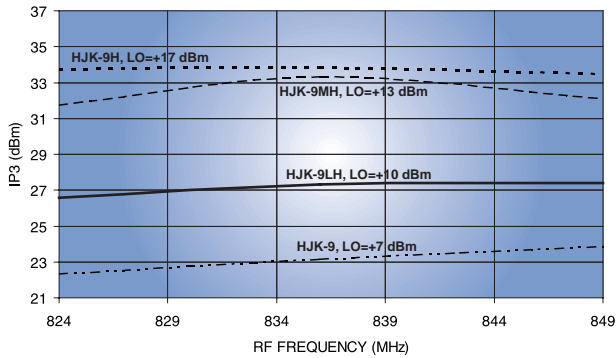


pin connections

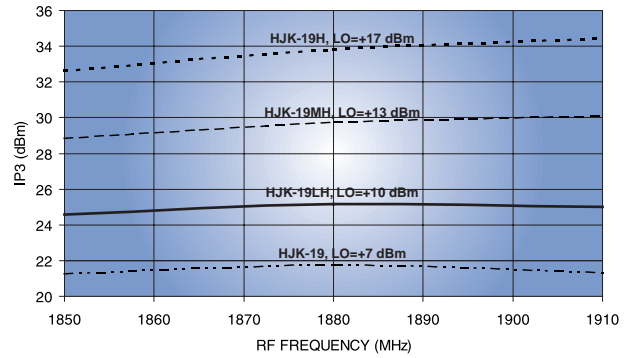
see case style outline drawings

PORT	x	mx
LO	2	1
RF	1	8
IF	3	5
GND EXT.	4,5,6	all others
DEMO BOARD	TB-12	TB-107

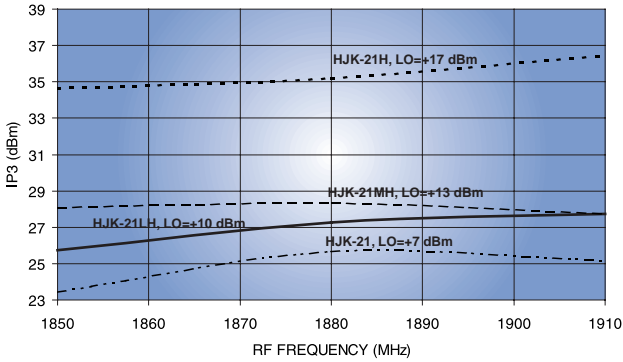
HJK-9/-9LH/-9MH/-9H
IP3 VS. FREQUENCY



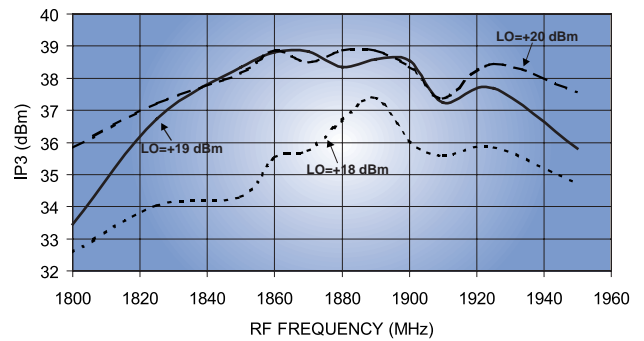
HJK-19/-19LH/-19MH/-19H
IP3 VS. FREQUENCY



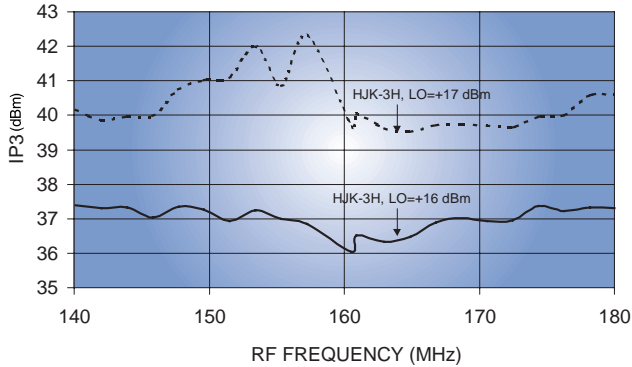
HJK-21/-21LH/-21MH/-21H
IP3 VS. FREQUENCY



HUD-19SH
IP3 VS. FREQUENCY



HJK-3H
IP3 VS. FREQUENCY



HUD-3H
IP3 VS. FREQUENCY

